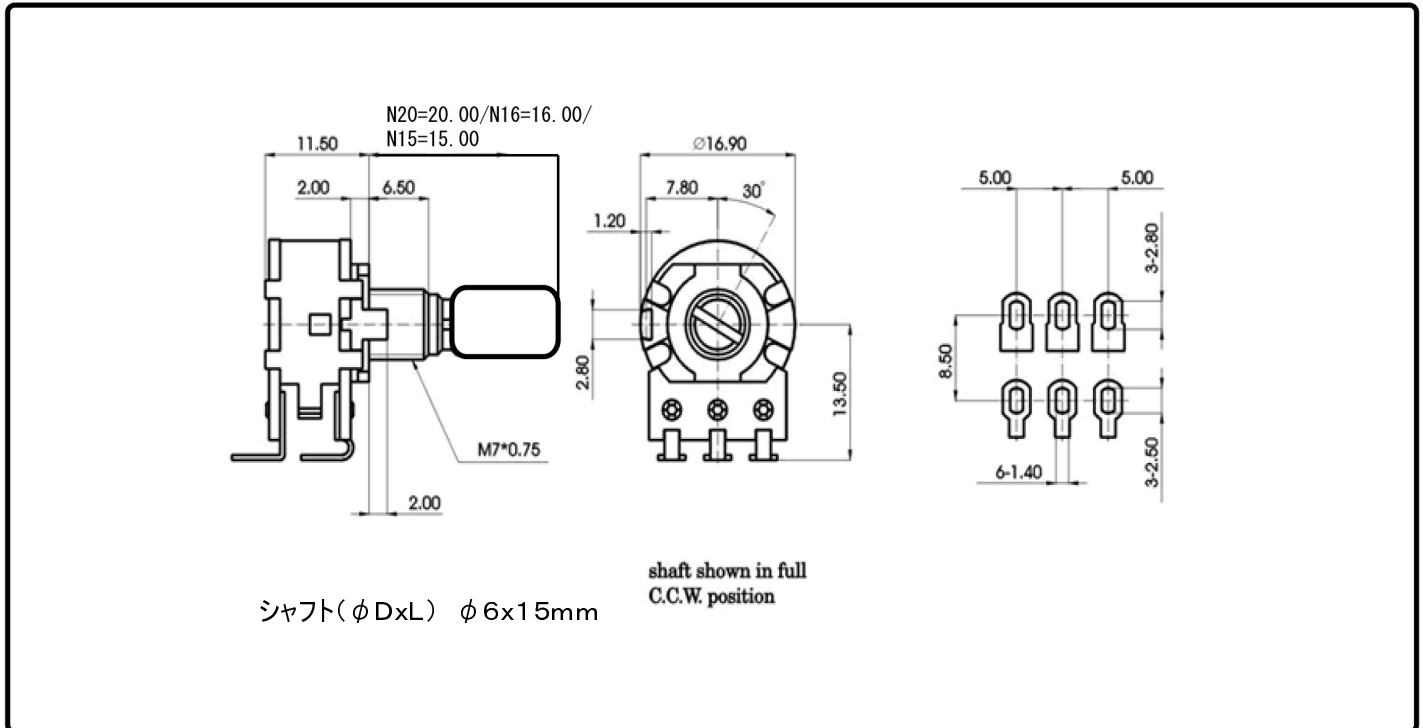


φ 16 2連ボリューム R1610G-Nシリーズ

参考資料

<外観図>



<特性>

Mechanical Characteristics

Total rotational angle	300° ± 10°
Rotational torque	10~200 gf.cm
Rotation stopper strength	Outer shaft 4Kgf.cm Inner shaft 3Kgf.cm
Push pull strength	7kgf (Push/Pull 0.7 N.m)

Electrical Characteristics

Total resistance	10KΩ~500KΩ
Total resistance tolerance	±20%
Rated power	curve B: 0.125W other curve B: 0.06W
Max. operating voltage	curve B: 200V other curve B: 150V
Slide noise	less than 100mV
Resistance taper	A, B, C
Residual resistance	R ≥ 250KΩ 0.1% max. of total resistance 250KΩ > R > 10KΩ 20Ω max. 10KΩ ≥ R 10Ω max.
Insulation resistance	more than 100M at DC 500V
Gang error	-40dB to 0dB 3dB max.

Durability

Rotational life	15,000 Cycles / 260°C-3Sec
Soldering time	